



LIGHTING TOWERS



Model	Floodlights	Illuminated Area
CTM STRONG	4x1000/1500W Halogen 6x1000/1500W Halogen	1600/2000 m ² 2200/2500 m ²
Close Dimension	Open dimension	Weight
382x157x254 cm 382x157x273 cm	382x157x900 cm 382x157x900 cm	615 Kg 621 Kg
Genset model	Fuel	Note
Possibility to contain till 20 kVA model	---	Assembled on site tow trailer



Model	Floodlights	Illuminated Area
CTM HYDRO	6x1000/1500W Halogen 4x1000W Metal Halide	2200/2500 m ² 4200 m ²
Close Dimension	Open dimension	Weight
382x157x273 cm 382x157x254 cm	382x157x900 cm 382x157x900 cm	730 Kg 760 Kg
Genset model	Fuel	Note
Possibility to contain till 20 kVA model	---	Assembled on site tow trailer



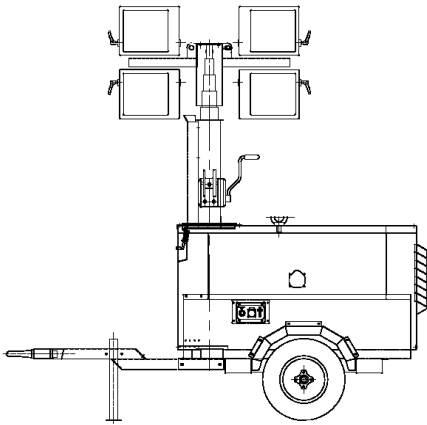
Model	Floodlights	Illuminated Area
CTM M6	4x500W Halogen 4x400W Metal Halide	625 m ² 1600 m ²
Close Dimension	Open dimension	Weight
148x106x204 cm 148x121x212 cm	230x156x550 cm 148x156x550 cm	145 Kg 180 kg
Genset model	Fuel	Note
Possibility to contain till 6 kVA model	---	Assembled on trolley



LIGHTING TOWERS



Model	Floodlights	Illuminated Area
CTM L7M	4x400W Metal Halide	2000 m ²
Close Dimension	Open dimension	Weight
116x74x234 cm	178x138x700 cm	218 Kg
Genset model	Fuel	Note
---	---	Assembled on trolley



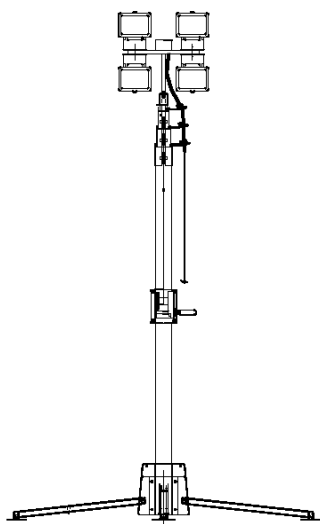
Model	Floodlights	Illuminated Area
CTM 8M	4x1000W Metal Halide	3800 m ²
Close Dimension	Open dimension	Weight
281x128x252 cm	281x244x800 cm	755 Kg
Genset model	Fuel	Note
9 kVA incorporated	Diesel	Assembled on site tow trailer



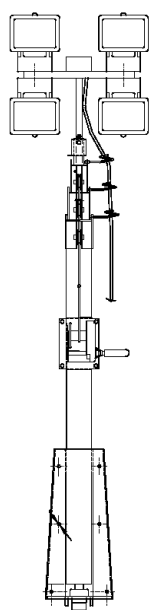
Model	Floodlights	Illuminated Area
CTM 9M	4x1000W Metal Halide	4200 m ²
Close Dimension	Open dimension	Weight
340x158x233 cm	340x185x900 cm	1095 Kg
Genset model	Fuel	Note
9 kVA incorporated	Diesel	Assembled on site tow trailer



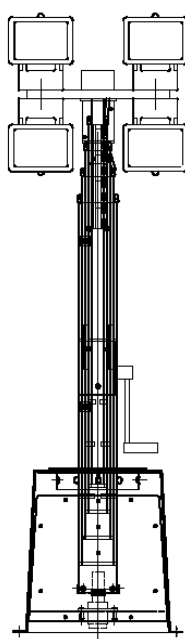
LIGHTING TOWERS



Model	Floodlights	Illuminated Area
CTM T5M CTM T7M	4x500W Halogen 4x500W Halogen 2x1500W Halogen	625 m ² 750 m ² 1200 m ²
Close Dimension	Open dimension	Weight
35x40x190 cm 35x40x235 cm	202x150x550 cm 202x150x700 cm	64 Kg 75 Kg
Genset model	Fuel	Note
---	---	N. 3 stabilizers



Model	Floodlights	Illuminated Area
CTM CT5M CTM CT7M CTM CT9M	4x500W Halogen 4x1000W Halogen 4x1500W Halogen	625 m ² 1500 m ² 2000 m ²
Close Dimension	Open dimension	Weight
26x28x190 cm 26x28x238 cm 26x28x250 cm	30x54x550 cm 35x106x700 cm 35x106x900 cm	67 Kg 85 Kg 93 Kg
Genset model	Fuel	Note
---	---	Base designed to be fixed on a generator



Model	Floodlights	Illuminated Area
CTM CT5.3M	4x500W Halogen 4x400W Metal Halide	600 m ² 1500 m ²
Close Dimension	Open dimension	Weight
81x42x170 cm 120x42x170 cm	81x42x530 cm 120x42x530 cm	121 Kg 132 Kg
Genset model	Fuel	Note
---	---	Base designed to be fixed on a trailer