

VITA 62 COMPLIANT VPX POWER SUPPLY



Features

- 90.0% typical efficiency ($V_{in}=28V$, full load)
- 18-36V continuous input voltage
- 500W maximum total output power
- Input EMI filter
- Input reverse polarity protection
- -40°C to 85°C operating temperature (at card edge)
- Input over voltage, output over voltage, output over-current, short circuit, and over-temperature protections
- Current sharing on three main outputs
- Standard VITA 62 controls
- Optional I²C (IPMI/ PMBus/ VITA 46.11)
- Compliance:
 - VITA62
 - MIL-STD-704 (B-F)
 - MIL-STD-461
 - CE102 CS101 CS114
 - CS115 CS116
 - MIL-STD-810G
 - ESD Protection
 - Shock and Vibration
 - Rapid Decompression
 - Corrosion Resistance
 - Fungus Resistance
 - Altitude and Humidity

Outputs:

VS1:	+12V	/	40A	=	480W
VS2:	+5V	/	25A	=	125W
VS3:	+3.3V	/	25A	=	83W
(AUX)	+3.3V _{AUX}	/	6A	=	20W
(AUX)	+12V _{AUX}	/	1A	=	12W
(AUX)	-12V _{AUX}	/	1A	=	12W

Part Numbering System

VPX	-	3U	-	1	D	500	T	2
Series Name	-	Size (U)	-	Input Voltage Range		Output Power	Filter	I ² C Function
VPX	-	3U	-	1: 18-36V	D: DC input	500: 500W	P: EMI Filter T: EMI Filter with Transient Suppression	1: without I ² C 2: with I ² C

Module Specific Specifications

Parameter	Notes & Conditions	Min.	Typ.	Max.	Units
ABSOLUTE MAXIMUM RATINGS					
Input Voltage					
Non-Operating Input Voltage	Continuous	-50		60	V
Operating Input Voltage	Continuous			36	V
Operating Transient Protection	1s Transient, square wave			50	V
Isolation Voltage	Input to Output, Input to Case, Output to Case			1500	V
Operating Temperature	Temperature at card edge	-40		85	°C
Storage Temperature		-55		105	°C
ELECTRICAL SPECIFICATIONS					
Input Voltage					
Continuous		18		36	V
Transient	50V Transient for 1s	18		50	V
Input Under-Voltage Lockout					
Turn-On Threshold		16.5	17.0	17.5	V
Turn-Off Threshold		15.0	15.5	16.0	V
FEATURE SPECIFICATIONS					
VITA 62 ON/OFF Control	Control signals referenced to SIGNAL_RETURN				
ENABLE* Logic High	ENABLE* is at high logic level if it's left open	2		3.6	V
ENABLE* Logic Low		0		0.8	V
INHIBIT* Logic High	INHIBIT* is at high logic level if it's left open	2		3.6	V
INHIBIT * Logic Low		0		0.8	V
RELIABILITY CALCUATIONS					
Calculated MTBF (MIL-217) MIL-HDBK-217F	Ground Benign (GB), 25°C ambient temperature		1800		1000 hours
Calculated MTBF (MIL-217) MIL-HDBK-217F	Ground Mobile (GM), 25°C ambient temperature		125		1000 hours

Input Voltage Spikes

INPUT VOLTAGE SPIKE SUPPRESSION	
Module Operates Through these Spikes	
Input Voltage Spike (Centered on Vin)	
±250V, 100µs, Emax = 15mJ	MIL-STD-1275D
±200V, 10µs, Rs ≤ 0.5Ω	MIL-STD-461C (CS06); DEF-STAN 61-5
±400V, 5µs, Rs ≤ 0.5Ω	MIL-STD-461C (CS06)
±600V, 10µs, Rs = 50Ω	RTCA/DO-160E

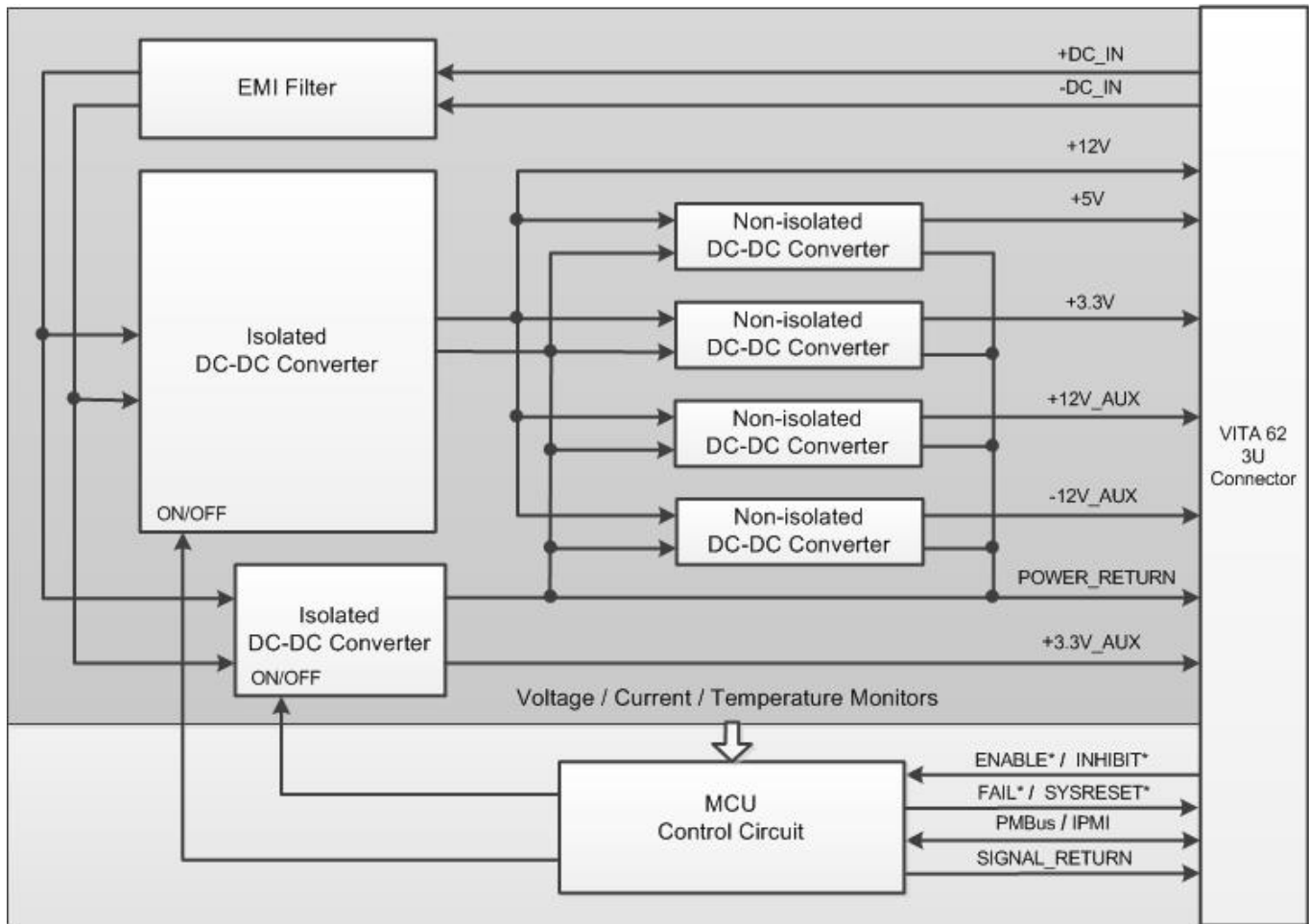
Output Characteristics

Parameter	+12V	+5V	+3.3V	+3.3V _{AUX}	+12V _{AUX}	-12V _{AUX}
OUTPUT CHARACTERISTICS						
Output Voltage Set Point 28V _{in} , 50% load	12V (±1%)	5V (±1%)	3.3V (±1%)	3.3V (±1%)	12V (±1%)	-12V (±1%)
Output Voltage Range Over line, load, temperature	12V (±3%)	5V (±3%)	3.3V (±3%)	3.3V (±3%)	12V (±3%)	-12V (±3%)
Output Voltage Ripple (peak-peak) Full load, measured with 1µF capacitor and 10µF tantalum capacitor.(5 Hz to 20 MHz bandwidth)	100mV	50mV	50mV	50mV	100mV	50mV
Output Current Range Total Output Power Limits to 500W	0-40A	0-25A	0-25A	0-6A	0-1A	0-1A
Output Over-Voltage Protection Set Point	14.8V	6V	6V	4.5V	14.8V	N/A
Output Current-Limit Set Point	50A	30A	30A	10A	2A	N/A
Maximum External Output Capacitance	4000µF	500µF	1000µF	2000µF	200µF	200µF
MAXIMUM TOTAL OUTPUT POWER	500W					

Qualification Tests

TEST	STANDARD
Random Vibration	MIL-STD-810, 514.6 – Procedure I, Class V3
Shock	MIL-STD-810, 516.6 - Procedure I, VI, Class OS2
Altitude	MIL-STD-810, 500.5 - Procedure I, II, III
Fungus Resistance	MIL-STD-810, 508.6
Corrosion Resistance	ASTM G85, Annex A4
Humidity	MIL-STD-810, 507.5 - Procedure II
High Temperature	MIL-STD-810, 501.5 - Procedure I, II
Low Temperature	MIL-STD-810, 502.5 - Procedure I, II
Temperature Cycling	MIL-STD-202, 107 - Class C4
ESD	EN61000-4-2, Level 3; 8kV Air Discharge

Block Diagram





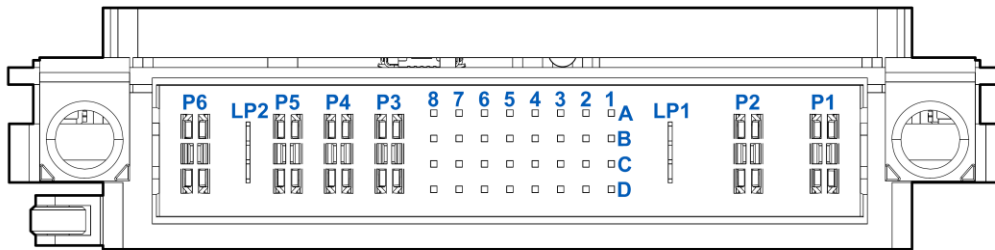
Features

Control States			
Control Inputs		State of Outputs	
ENABLE*	INHIBIT*	+3.3V_AUX	VS1,VS2,VS3 +12V_AUX, -12V_AUX
HIGH	HIGH	OFF	OFF
HIGH	LOW	OFF	OFF
LOW	HIGH	ON	ON
LOW	LOW	ON	OFF

At power-on, if ENABLE* and INHIBIT* are configured to turn all outputs on, +3.3V_AUX will be powered up 100ms prior to other outputs.

Parallel Operation	
+12V_MAIN, +5V_MAIN & +3.3V_MAIN	+12V_MAIN、+5V_MAIN and +3.3V_MAIN support active current sharing. For parallel operation of multiple converters, +12V_Share(+),+5V_Share(+), +3.3V_Share(+), ENABLE* and INHIBIT* of all modules should be connected together respectively. It is suggested to have a ground plane on the system board for POWER_RETURN to reduce the ground noise impact on the current share accuracy. The loop formed by the trace connecting the Share pins and the ground trace should be minimized to avoid noise coupling into the current share circuitry. Adding capacitance to these share lines must be avoided.
+3.3V_AUX, +12V_AUX & -12V_AUX	These auxiliary outputs do not support active current sharing. However, all these auxiliary outputs have OR'ing MOSFETs or OR'ing diodes imbedded to support parallel operation. Total output current on any of the outputs should not exceed its current rating of a single module.

PIN Assignments



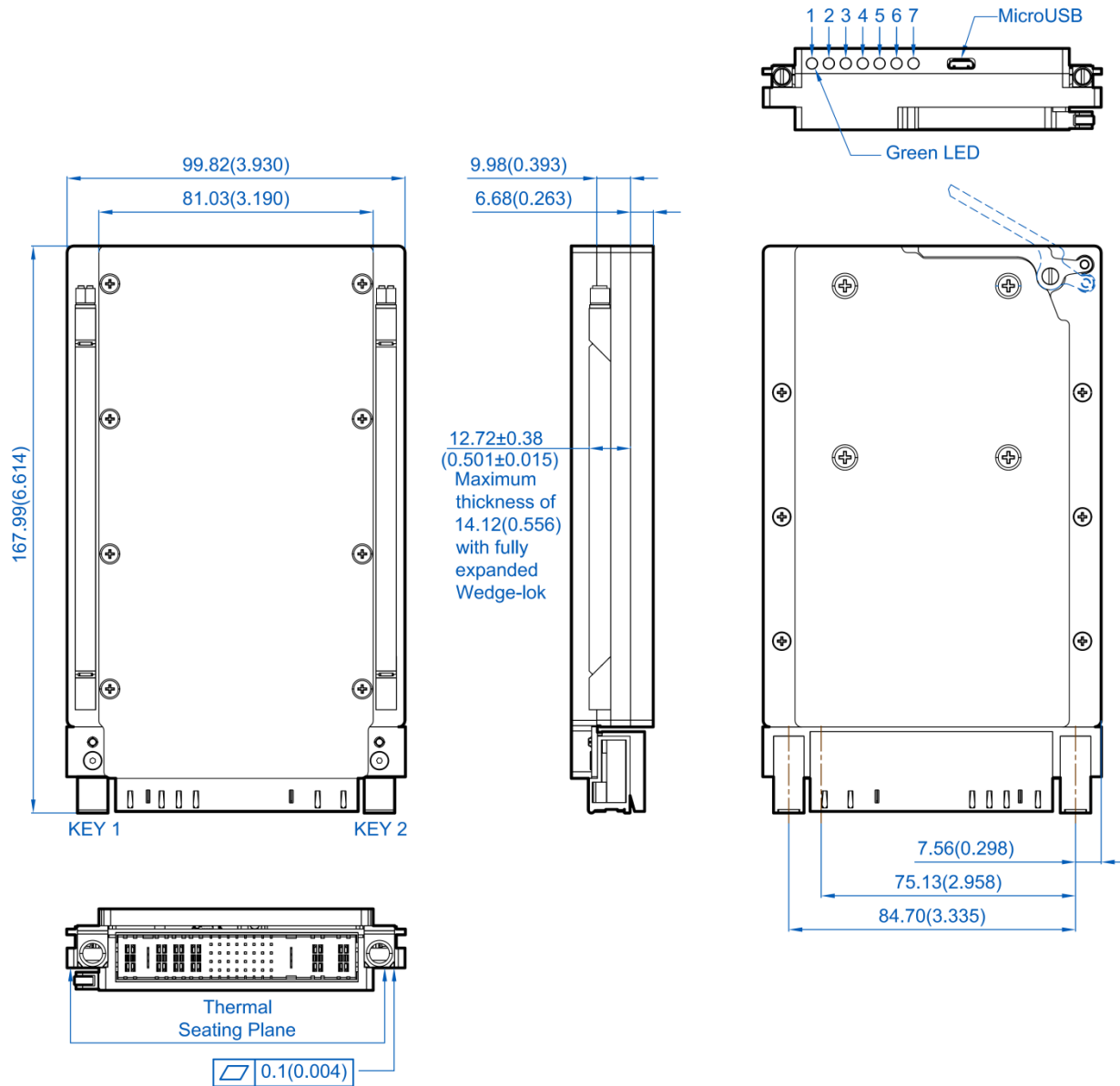
3U P0 Connector

PIN	Function	Description
P1	-DC_IN	Negative input voltage
P2	+DC_IN	Positive input voltage
LP1	CHASSIS	Chassis
A1	No Connection	
B1	LED_DISABLE	Disable LEDs
C1	I2C1_SMBA	Primary I2C Alert Line, see Note1
D1	I2C3_SMBA	Redundant I2C Alert Line, see Note1
A2	No Connection	
B2	FAIL*	When any of the output is out of its specification, FAIL* signal will go low.
C2	INHIBIT*	Input signal with referenced to SIGNAL_RETURN
D2	ENABLE*	Input signal with referenced to SIGNAL_RETURN
A3	No connection	
B3	+12V_AUX	+12V auxiliary output voltage
C3	No Connection	
D3	No Connection	
A4	+3.3V_AUX	+3.3V auxiliary output voltage
B4		
C4		
D4		
A5	GA0*	Geographical Address ⁽¹⁾
B5	GA1*	
C5	SM0	Primary I ² C Clock Line ⁽¹⁾
D5	SM1	Primary I ² C Data Line ⁽¹⁾
A6	SM2	Redundant I ² C Clock Line ⁽¹⁾
B6	SM3	Redundant I ² C Data Line ⁽¹⁾
C6	-12V_AUX	-12V auxiliary output voltage, 1A rated
D6	SYSRESET*	System reset is actively low. It will float when all outputs are within specification
A7	+12V_SHARE(+)	+12V_MAIN active current share pin
B7	+3.3V_SHARE(+)	+3.3V_MAIN active current share pin
C7	+5V_SHARE(+)	+5V_MAIN active current share pin
D7	SIGNAL_RETURN	Ground pin (control signals)
A8	+12V_SENSE(+)	Connect it to +12V_MAIN at the connector or where the regulation is of concern.
B8	+3.3V_SENSE(+)	Connect it to +3.3V_MAIN at the connector or where the regulation is of concern.
C8	+5V_SENSE(+)	Connect it to +5V_MAIN at the connector or where the regulation is of concern.
D8	SENSE_RETURN	Connect it to POWER_RETURN at the connector or where regulation is of concern.
P3	+5V_MAIN	+5V main output voltage
P4	POPWER_RETURN	Shared output voltage return pin, each rated for 40A.
P5	POPWER_RETURN	
LP2	+3.3V_MAIN	+3.3V main output voltage
P6	+12V_MAIN	+12V main output voltage

Note ⁽¹⁾: Refer to NetPower "VPX Communication Guide" for details.



Mechanical Information



Green LED Indication							Status	
1	2	3	4	5	6	7	ON	OFF
+12V	+5V	+3.3V	+3.3V AUX	+12V AUX	-12V AUX	MCU	Normal	Fault

Weight		1.6lbs (0.7kg)
Key Position	Alignment Angle	TE Connectivity Part Number
1	0°	1-1469492-1
2	0°	1-1469492-1

Notes:

- 1) All dimensions in mm (inches)
- 2) Tolerances: $x \pm .5$ ($.xx \pm 0.02$)
 $.xx \pm .25$ ($.xxx \pm 0.010$)
- 3) Connector part numbers:
P0 – TE CONNECTIVITY 6450849-7
- 4) See table for key position for angle.
- 5) Flatness and surface finish requirement applies to both rails.